

## Model SF-BNC2 Bidirectional Unbalanced Stereo Audio Network Interface

- Dante Network Interface for Two Audio Inputs and Two Audio Outputs
- Inputs and Outputs on Front-Panel RCA Jacks and Stereo 3.5 mm Mini-Jacks
- Selectable Dante Sample Rates: 44.1 kHz, 48 kHz, 88.2 kHz, 96 kHz
- Converts Two Unbalanced Line-Level Audio Sources to Dante Network Channels
- Converts Two Dante Network Audio Signals to Unbalanced Line Level
- Special Software Not Required for Module Setup
- Exceptional Low-Noise and Low-Distortion Performance
- High Resolution 24 Bit Digital to Analog Conversion
- Legendary RDL Analog Filtering Enhances Superb Audio Performance
- LED Indicator for Valid Power and Network Sync
- Operation from PoE Power (Class 0, IEEE 802.3af)
- Equipped for SysFlex™ Rack Mounting or Surface Mounting



The SysFlex series is a family of A/V modules providing complex interface solutions at the click of a connector. SysFlex modules provide connectorized interface between data networks and analog and digital audio devices, networked and conventional amplifiers and other application-specific solutions. In RDL's tradition of versatility, SysFlex modules can be used right where they are needed: Rack-mounted, Surface-mounted, or unmounted. They are light-weight, compact and easy to install with simple, straightforward switch settings and LED indicators. Modules quickly snap into the SysFlex rack mount and each is firmly secured with a single screw. The racking system segregates network and power wiring from the audio and digital audio connectors. For connectorized network audio endpoints and A/V system components that provide unparalleled performance and advanced features without giving up simplicity and ease of installation, SysFlex is the industry's best value.

**APPLICATION:** The SF-BNC2 is a bidirectional Dante audio network interface. It features two unbalanced audio inputs (left and right) on RCA and stereo 3.5 mm Mini-jack connectors, as well as two unbalanced audio outputs (left and right) on RCA and stereo 3.5 mm Mini-jack connectors. Special software is not required to configure the SF-BNC2. Each input provides a network digital audio level of -20 dBFS for an unbalanced -10 dBV input. Each output provides -10 dBV unbalanced for a network digital audio level of -20 dBFS. The SF-BNC2 is a professional grade product for studio quality fidelity and low noise performance.


The SF-BNC2 is PoE powered. Valid PoE power and synchronization to the Dante network is indicated by a green LED visible from the front of the unit.

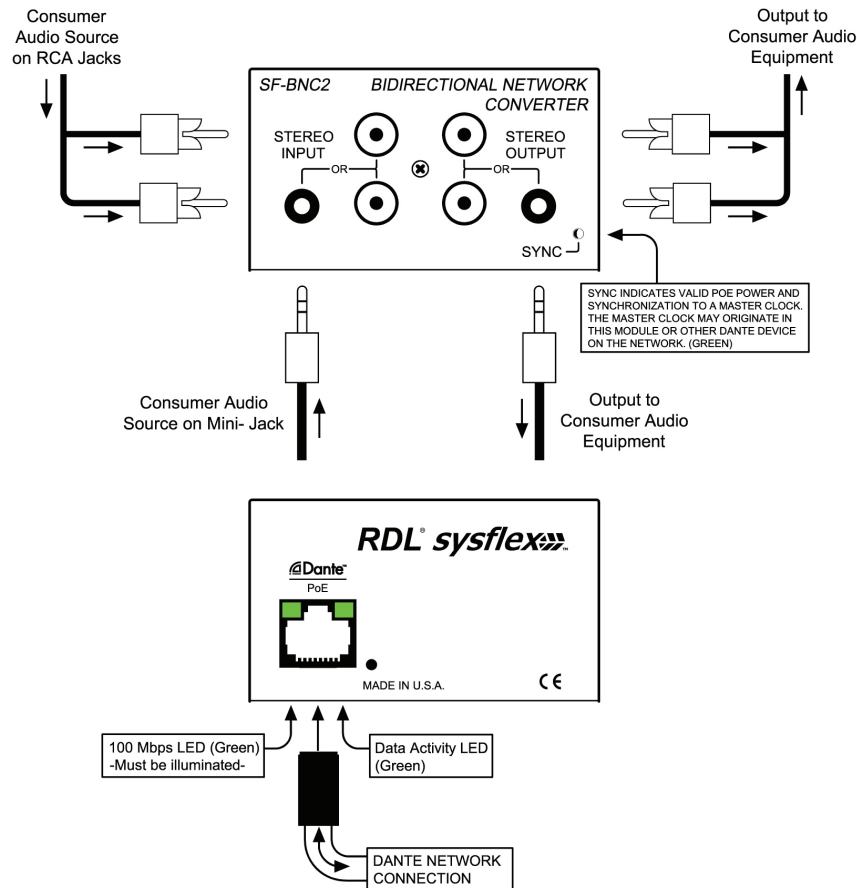
The SF-BNC2 is constructed in a durable, professional all-metal enclosure suitable for free-standing, surface-mounted or rack-mounted operation. This full-featured SYSFLEX product is engineered and manufactured in the U.S.A for continuous duty in demanding installations. The versatility of SYSFLEX products adds enormous flexibility in the design and installation of professional A/V systems.

# Model SF-BNC2

## Bidirectional Unbalanced Stereo Audio Network Interface

## Installation/Operation

 Declaration of Conformity available from rdlnet.com. Sole EMC specifications provided on product package. Specifications are subject to change without notice.



### TYPICAL PERFORMANCE

Network Connector: RJ45 with Link and Speed indicators  
 Digital Audio Ethernet Protocol: Dante  
 Transmission Rate: 100 Mbps  
 Sample Rates Supported: 44.1 kHz, 48 kHz (default), 88.2 kHz, 96 kHz  
 Bit Depth Supported: 24 bits  
 Audio Operating Level: -20 dBFS = -10 dBV  
 Reference Level: 0 dBFS = +10 dBV

Output Level (maximum): +10 dBV  
 Output Impedance: 40 Ω  
 Frequency Response: 20 Hz to 20 kHz (± 0.5 dB)  
 THD+N: < 0.1%  
 Noise: < -75 dB (below -10 dBV)  
 Crosstalk: < -70 dB (20 Hz to 20 kHz)  
 Headroom above -10 dBV: 20 dB

### Line Inputs to Network Interface

Inputs (4): Mini-jack Stereo or RCA jacks (2, L and R)  
 Input Level (for +4 dBu/-20 dBFS): -10 dBV nominal  
 Input Level (maximum): +10 dBV  
 Input Impedance: > 15 kΩ  
 Frequency Response: 20 Hz to 20 kHz (± 0.5 dB)  
 Noise below -20 dBFS (20 to 20 kHz): < -80 dB  
 Crosstalk: < -85 dB (L into R, R into L, 20 Hz to 20 kHz)  
 THD+N: < 0.05% (20 Hz to 20 kHz, -20 dBFS);  
 0.02% at 1 kHz (typ)  
 Headroom: 20 dB

Indicators (3): Ethernet Link and Speed (2, rear panel); Sync (front panel)  
 Ambient Operating Environment: 0° C to 50° C  
 Power Requirement: PoE Class 0, IEEE 802.3af  
 Specification Conditions: Gain/Level: ± 1 dB; Source termination: 150 Ω;  
 A to D values measured in digital domain  
 Dimensions: 2.79" (7.09 cm) W; 1.68" (4.27 cm) H;  
 5.77" (14.66 cm) D  
 Package Type: Cardboard Box  
 Package Dimensions: 7 x 4.375 x 2.25 in.  
 Shipping Weight: 1.115 lbs.  
 WEEE weight: 0.905 lbs.  
 Tariff code: 8517.18.0050

### Network to Line Outputs

Outputs (4): Mini-jack Stereo or RCA jacks (2, L and R)  
 Output Level (operating): -10 dBV nominal

### Radio Design Labs Technical Support Centers

U.S.A. (800) 933-1780, (928) 778-3554; Fax: (928) 778-3506  
 Europe [NH Amsterdam] (+31) 20-6238 983; Fax: (+31) 20-6225-287